

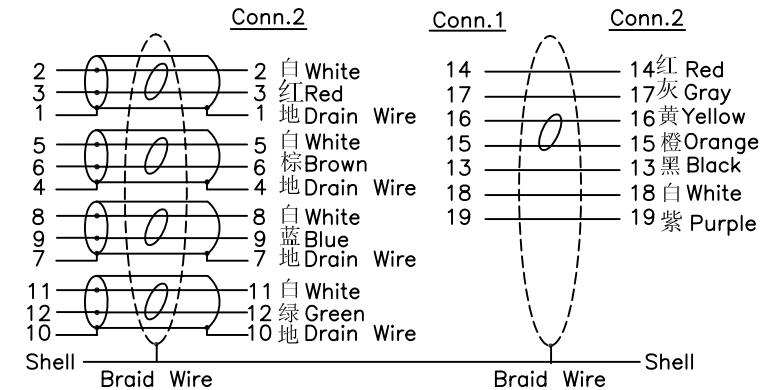
Electrical Test:

1. 100%Test(Open ,short ,miss wire)
2. Contact Resistance: 2 ohm max.
3. Insulation Resistance: 10M ohm min.
4. Hi-pot:100V DC/10ms

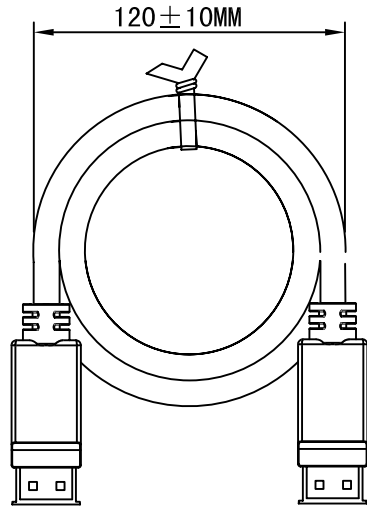
注意事项:

1. 两端外被18MM,芯线比剪保留13MM, 编织全部剪除干净,将地线焊接在铁壳上.
2. 锡点不易过大.

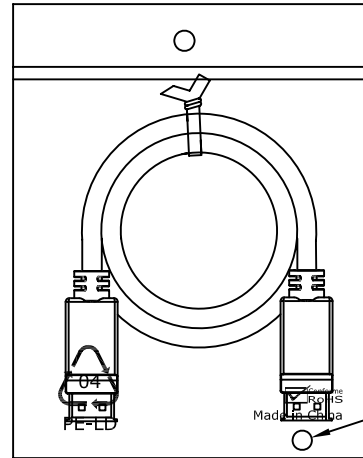
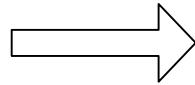
Pin Assignment



REV.	DESCRIPTION			DATE																																															
8	A6-000030	MINI HDMI M 透明PVC防尘盖	2	pcs																																															
7	A10-R075133	黑色热缩套管: ϕ 1.5*16mm 厚壁	2	pcs																																															
6	A10-R065324	黑色热缩套管: ϕ 2.0*8MM 薄壁	8	pcs																																															
5	A10-R075205	黑色热缩套管: ϕ 0.6*6MM 薄壁	8	pcs																																															
4	A5-R047001	45P 黑色 PVC料 环保	12	g																																															
3	A5-R047011	透明 PE料 环保 低密度	3	g																																															
2	A2-R020095	MINI HDMI M 19P 带PCB板 铁壳镀金3U 端子镀金15U 黑色胶芯	2	pcs																																															
1	A4-R001349	UL20276 (30AWG*1PR+EAM)*4C+30AWG*1PR+30AWG*5C+AEB 50%铝编 OD:5.5MM 黑色 印:HIGH SPEED HDMI® ...	1	m																																															
NO	ITEM	DESCRIPTION	Q'TY	UNIT																																															
<table border="1" style="width: 100%;"> <tr> <td>REV.</td> <td colspan="2">TOLERANCE</td> <td colspan="2">DESCRIPTION</td> <td>DATE</td> </tr> <tr> <td rowspan="3">④</td> <td rowspan="3">.X</td> <td rowspan="3">.015</td> <td rowspan="3">.30</td> <td colspan="2" rowspan="3"> </td> </tr> <tr> <td colspan="2">TITLE:</td> </tr> <tr> <td colspan="2">HDMI CM/CM 30AWG 客人模具 镀金</td> </tr> <tr> <td>DRAWN BY</td> <td colspan="2">alex</td> <td>CUSTOMER :</td> <td colspan="2">亚晴</td> </tr> <tr> <td>CHECK BY</td> <td colspan="2"></td> <td>CUSTOMER NO.:</td> <td colspan="2"></td> </tr> <tr> <td>APPD BY</td> <td colspan="2"></td> <td>SCALE</td> <td>NONE</td> <td rowspan="3">DRAWING NO.:</td> <td rowspan="3">REV. A</td> </tr> <tr> <td></td> <td colspan="2"></td> <td>UNIT</td> <td>MM</td> </tr> <tr> <td></td> <td colspan="2"></td> <td>DATE</td> <td>10.11.03</td> <td>CAG460005</td> <td>1/2</td> </tr> </table>					REV.	TOLERANCE		DESCRIPTION		DATE	④	.X	.015	.30			TITLE:		HDMI CM/CM 30AWG 客人模具 镀金		DRAWN BY	alex		CUSTOMER :	亚晴		CHECK BY			CUSTOMER NO.:			APPD BY			SCALE	NONE	DRAWING NO.:	REV. A				UNIT	MM				DATE	10.11.03	CAG460005	1/2
REV.	TOLERANCE		DESCRIPTION		DATE																																														
④	.X	.015	.30																																																
						TITLE:																																													
						HDMI CM/CM 30AWG 客人模具 镀金																																													
DRAWN BY	alex		CUSTOMER :	亚晴																																															
CHECK BY			CUSTOMER NO.:																																																
APPD BY			SCALE	NONE	DRAWING NO.:	REV. A																																													
			UNIT	MM																																															
			DATE	10.11.03			CAG460005	1/2																																											



依图示绕线



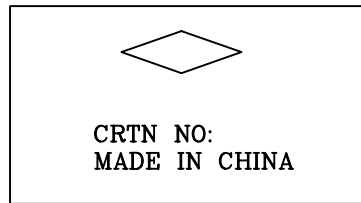
单PCS装夹链袋

透气孔

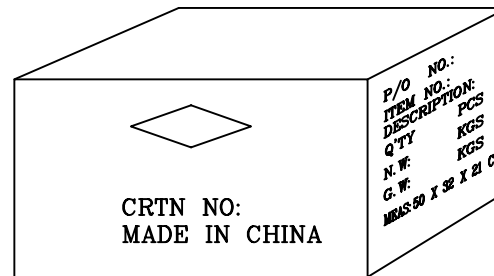
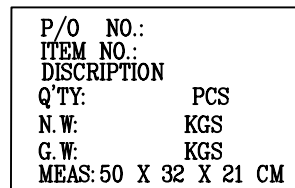
包装方式:


- 1.如图所示在纸箱里放一防水袋，每箱装180PCS，上、下放一纸板，用透明胶纸封口。
- 2.纸箱正侧唛内容如订单填写，手写需字迹工整或盖章。
- 3.为防纸箱空箱现象或美观性可适当增加纸板。


正唛:



侧唛:



NO.	CELINK P/N	DESCRIPTION	Q'TY	UNIT	REV.	TOLERANCE		DESCRIPTION	DATE		
					①	INCHES	M/M				
5	A10-R043139	黑色扎带 (0.9*1.7MM) L=90MM	1	pcs	.X	.015	.30	 TITLE: HDMI CM/CM 30AWG 客人模具 镀金			
4	A8-R053011	防水袋 850*750*0.06MM 不印字	1/180	pcs	.XX	.010	.10		CUSTOMER : 亚晴		
3	A9-H005006	纸板 B3C 480X300MM	2/180	pcs	.XXX	.005	.05		CUSTOMER NO.:		
2	A9-H005003	纸箱 K=K 500X320X210MM 标准印字	1/180	pcs	DRAWN BY	alex		SCALE	NONE	DRAWING NO.:	REV. A
1	A8-R053227	夹链袋 160*240*0.06MM 印带环保标志和RoHS...(打透气孔和挂孔)	1	pcs	CHECK BY			UNIT	MM		
					APPD BY			DATE	10.11.03	CAG460005	2/2

Cable comparison	PCIEMM-xxx	PCIEMM-xxxA
Cable Length	PCIEMM-030 30CM PCIEMM-060 60CM PCIEMM-100 100CM	PCIEMM-010A 10CM PCIEMM-015A 15CM PCIEMM-030A 30CM PCIEMM-060A 60CM PCIEMM-100A 100CM PCIEMM-150A 150CM PCIEMM-200A 200CM PCIEMM-300A 300CM PCIEMM-400A 400CM PCIEMM-500A 500CM
Cable specification Connector	HDMI 1.3c Mini HDMI	HDMI 1.4b Mini HDMI
Interface	Custom PCIe cable	Custom PCIe cable
Cable Appearance	circle 	flat 