

Half to Full Bracket

Half to Full Bracket



Half to Full Bracket Package Contents



Half to Full Bracket x1



Screw x4

As a New manufacturer of quality computer connectivity products since 2009/Mar, BPLUS technology brings to market a broad range of upgrade products. These products bridge the connection between Desktop/Notebook systems and external peripherals.

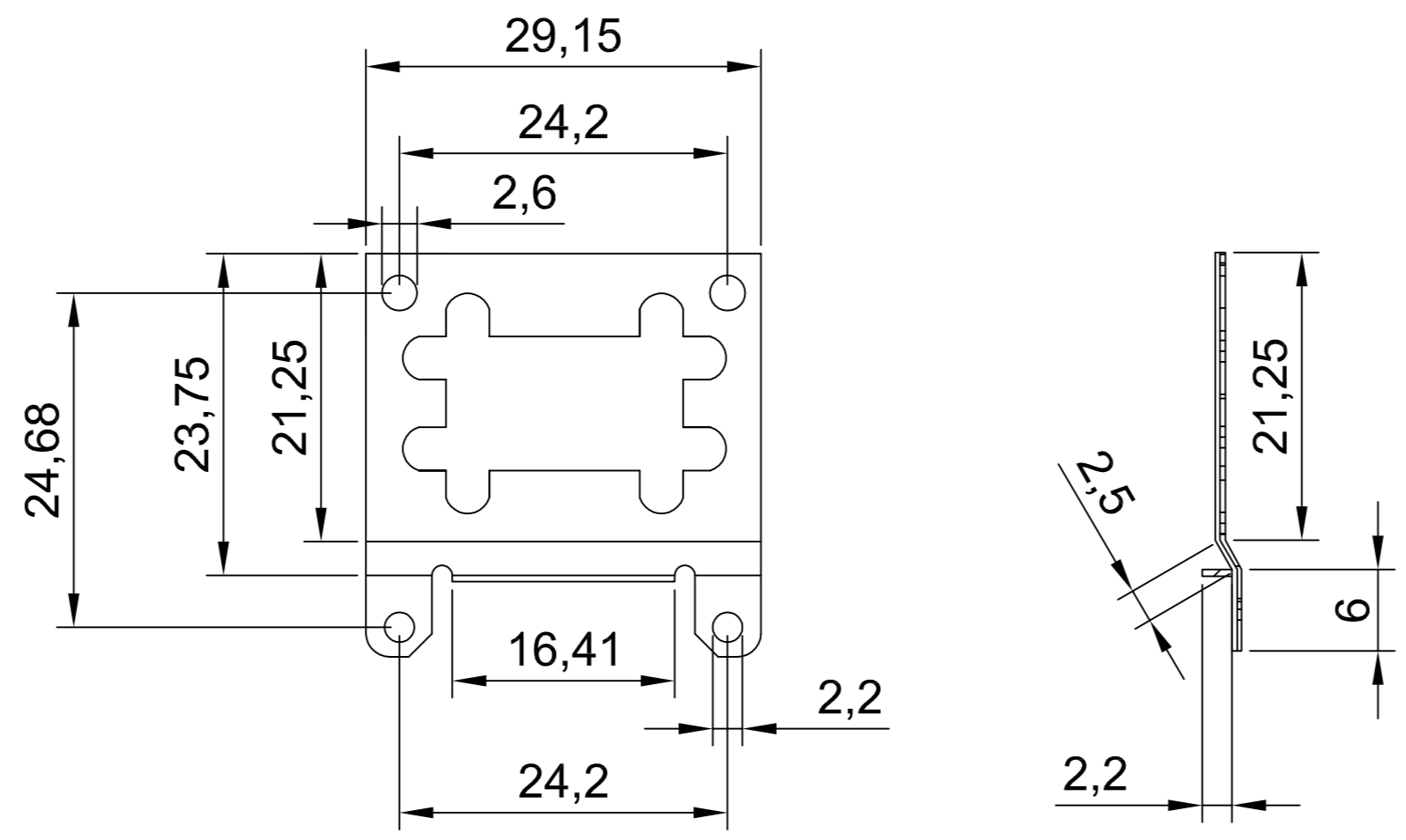


Adress:5F,NO.63,ZHOU-TZYY
ST.,NEI-HU,TAIPEI,TAIWAN,R.O.C
Tel:886-2-77210550 Fax:886-2-87974200
Email:sales@bplus.com.tw
Web:http://www.Bplus.com.tw

1 2 3 4 5 6 7 8 9 10 11 12

PROPRIETARY AND CONFIDENTIAL
 THE INFORMATION CONTAINED IN THIS DRAWING IS THE SOLE PROPERTY OF AENEAS ELECTRONICS CO., LTD. ANY REPRODUCTION IN PART OR AS A WHOLE WITHOUT THE WRITTEN PERMISSION OF AENEAS ELECTRONICS CO., LTD. IS PROHIBITED

Metal Baffle
 Half to Full Bracket



APPROVED:	- TOLERANCES -		UNIT: mm	TITLE : Metal Baffle	SHEET 1/1
ENGINEER:	General	Angles	SCALE: 1:1	DRAWING NUMBER: Half to Full Bracket	Date 2011/MARCH/21th
CHECKED: Gerry	30~ ±0.25	0° ±10°			
DRAWN: Teddy	10~30 ±0.20	0.0° ±2°		REV. A/0	
	5~10 ±0.15			Blus Bplus Technology Co., Ltd.	
	0~5 ±0.10				

1 2 3 4 5 6 7 8 9 10 11 12